

# **IDENTIFICATION**

# Identification

## IDENTIFICATION

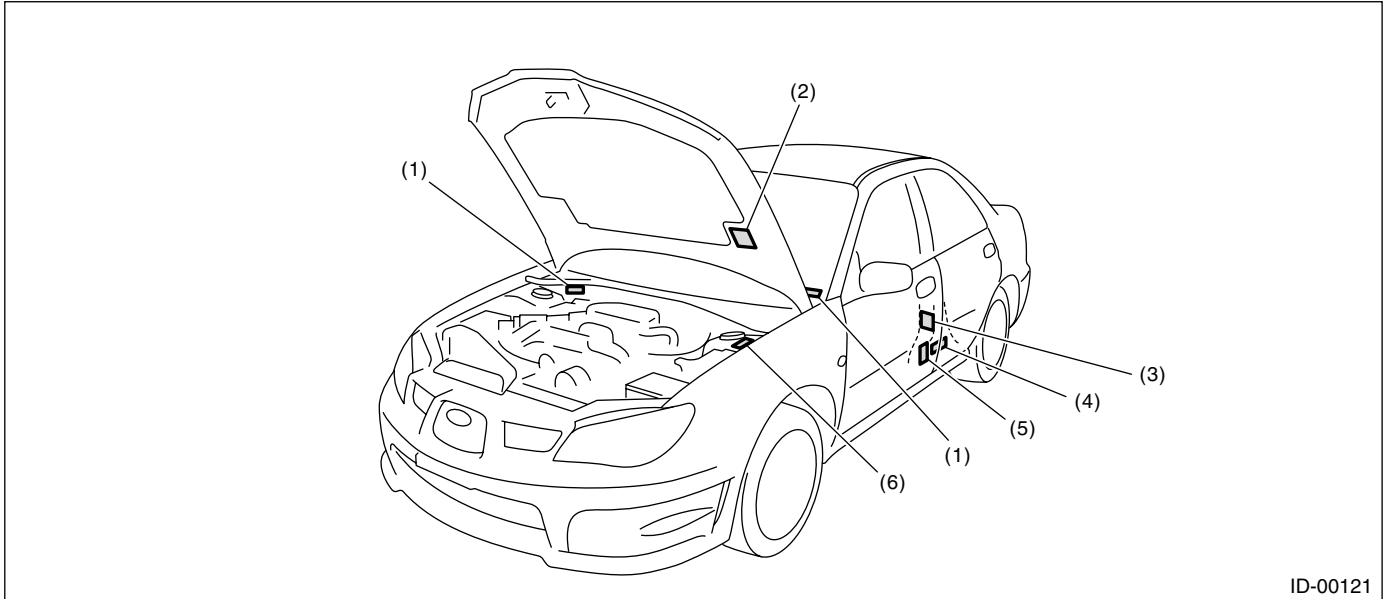
### 1. Identification

#### A: IDENTIFICATION

##### 1. IDENTIFICATION NUMBER AND LABEL LOCATIONS

The VIN (Vehicle Identification Numbers) is used to classify the vehicle.

##### • POSITIONING OF THE PLATE LABEL FOR IDENTIFICATION



ID-00121

(1) Vehicle identification number (VIN)

(3) Tire inflation pressure label

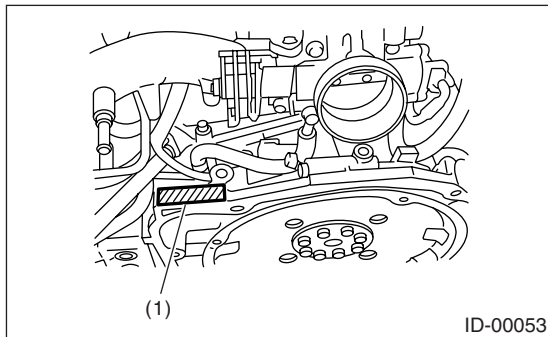
(5) Bar code label (USA model)

(2) Emission control label

(4) Certification plate

(6) Model number plate

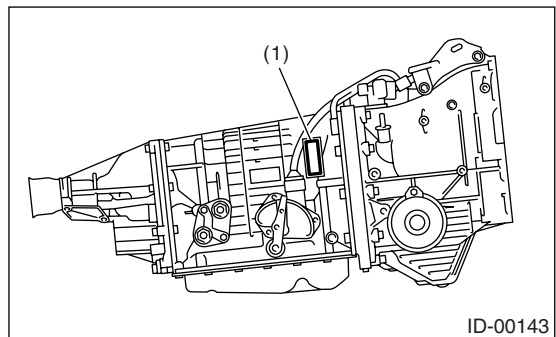
##### • ENGINE



ID-00053

(1) Engine serial number

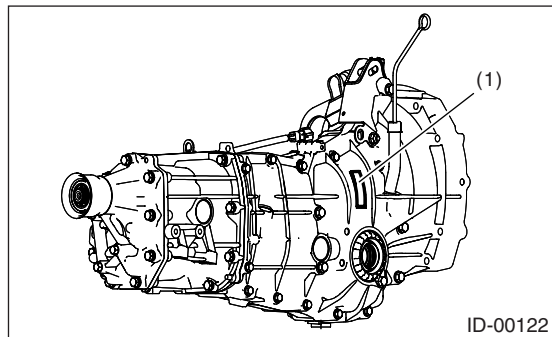
##### • AUTOMATIC TRANSMISSION



ID-00143

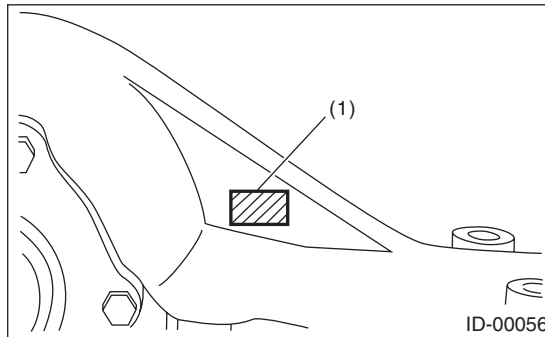
(1) AT model label

## • MANUAL TRANSMISSION (5MT)



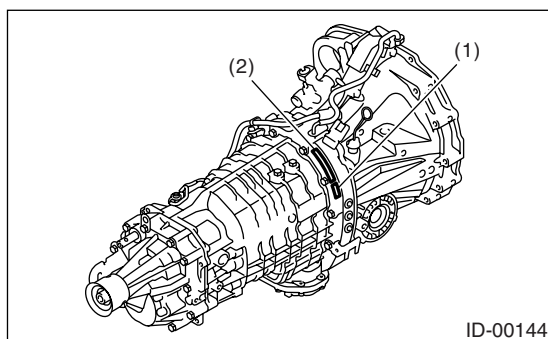
(1) MT model label

## • REAR DIFFERENTIAL



(1) Type (white paint)

## • MANUAL TRANSMISSION (6MT)



(1) Transmission serial number  
(2) MT model label

## • MODEL NUMBER PLATE

**FUJI HEAVY INDUSTRIES LTD.**

型 式

車台番号 **JF1GG676X6G800001**  
VIN

○ アプライドモデル **GGEEY6J** オプションコード **U4FL** ○  
applied model option code

トリムコード **410** エンジン型式 **EJ253BE8AB**  
trim code engine type

外装飾コード **230** ミッション型式 **TY754VC7AA**  
Color code transmission type

ID-00123

# Identification

## IDENTIFICATION

### 2. MEANING OF V.I.N.

The meaning of the VIN is as follows:

• **]JF1GG676X6G800001[**

The starting and ending brackets ( ] [ ) are stop marks.

Digits	Code	Meaning	Details
1 to 3	JF1	Manufacturer body area	JF1: Passenger car, FHI made
4	G	Car line	IMPREZA
5	G	Body type	D: 4 Door Sedan G: Wagon
6	6	Displacement	6: 2.5 L AWD 7: 2.5 L AWD Turbo
7	7	Grade	7: 2.5i 8: OUTBACK 9: WRX 0: STI
8	6	Restraint	6: Manual belts, dual airbag, side airbag
9	X	Check digit	0 to 9 & X
10	6	Model year	6: 2006MY 7: 2007MY 8: 2008MY
11	G	Transmission type	G: Full-time AWD 5-speed MT single range H: Full-time AWD 4-speed AT L: Full-time AWD 6-speed MT single range
12 to 17	800001	Serial number	500001 or more: 4-Door Sedan 800001 or more: Wagon

### 3. MODEL NUMBER PLATE

The model number plate indicates: the applied model, the option code, the trim code, the engine type, the transmission type, and the exterior color code. This information is helpful when placing orders for parts.

**GGEY6J**

Digits	Code	Meaning	Details
1	G	Series	IMPREZA
2	G	Body style	D: 4 Door Sedan G: Wagon
3	E	Engine displacement Drive system Suspension system	E: 2.5 L AWD F: 2.5 L AWD High power turbo G: 2.5 L AWD Turbo
4	E	Model year	E: 2006MY
5	Y	Destination	Y: Left-hand drive model for North America and Canada
6	6	Grade	6: 2.5i 7: OUTBACK 8: WRX E: STI
7	J	Transmission, fuel feed system	R: SOHC MPI 4-speed AT P: DOHC B MPI 4-speed AT J: SOHC MPI 5-speed MT AWD D: DOHC B MPI 5-speed MT AWD H: DOHC B MPI 6-speed MT AWD

The engine and transmission type are as follows:

# Identification

IDENTIFICATION

## • Engine

### EJ253BE8AB

Digits	Code	Meaning	Details
1 and 2	EJ	Engine type	EJ: 4 cylinders
3 and 4	25	Displacement	25: 2.5 L
5	3	Fuel feed system	3: MPI-NA (SOHC) 5: MPI Turbo 7: MPI High power turbo
6	B	Exhaust regulations	B: North America (FED, CAL)
7	E	Transmission	E: 5MT G: 6MT P: AT S: 5MT
8	8	Minor change	8: "8" is impressed on this vehicle.
9 to 10	AB	Detailed specifications	Used when ordering parts. See the parts catalog for details.

## • Transmission

### TY754VC7AA

Digits	Code	Meaning	Details
1	T	Transmission	T: Transmission
2	Y	Transmission type	Y: Full-time AWD MT center differential V: Full-time AWD AT center differential Z: Full-time AWD AT MP-T
3 and 4	75	Classification	75: 5MT 85: 6MT 1B: AT (direct control system)
5	4	Series	MT   4: 5MT 6: 6MT AT   4: AT
6	V	Transmission specifications	V: Full-time AWD 5-speed MT with viscous coupling center differential single range W: Full-time AWD single range 6-speed MT L: Full-time AWD 4-speed AT with MP-T (direct control system) M: Full-time AWD 4-speed AT with VTD (direct control system)
7	C	Engine type	C: 925 SOHC W: 925 DOHC Turbo
8 to 10	7AA	Detailed specifications	Used when ordering parts. See the parts catalog for details.

## • Rear differential

### EG

Code	Reduction gear ratio	LSD
EG	3.900	No
EH	4.111	No
ER	3.700	Viscous
P1	3.900	Viscous
HX	3.545	Mechanical

## • Option code

### U4FL

Digits	Code	Meaning	Details
1 and 2	U4	Destination	U4: USA (FED, CAL) CO: Canada
3 and 4	FL	Main option of vehicle	—

# Identification

IDENTIFICATION

---